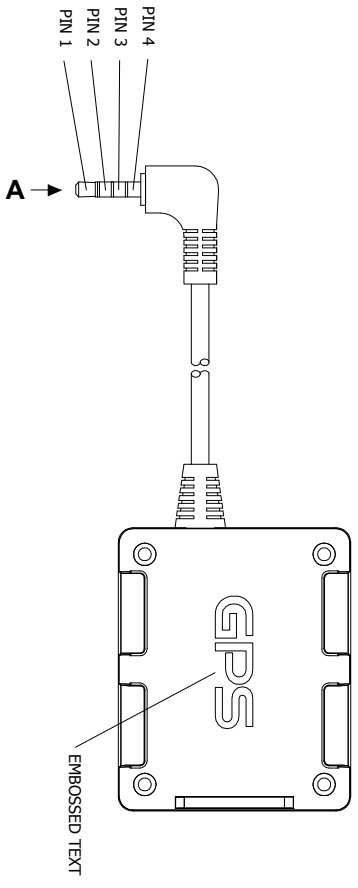
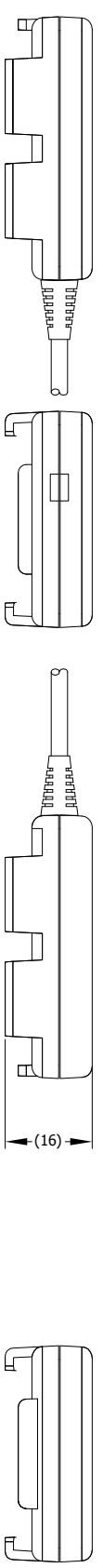
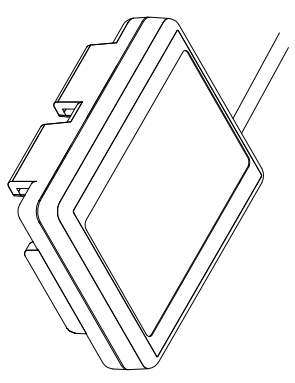
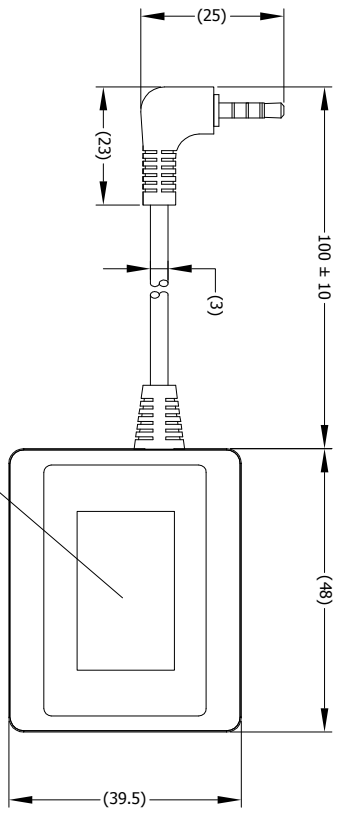


Revision Notes			
R1 -			
APPA -	Drawn:-	Checked:-	Approved:-
			Date:-

VIEW A

4 PIN 2.5mm JACK MALE MATING FACE

PIN #	WIRE COLOUR	DESCRIPTION
1	RED	+VE
2	YELLOW	TX
3	BLACK	-VE
4	WHITE	RX



- NOTES:
- REFER TO PRODUCT SPECIFICATION FOR PRODUCT SPECIFICATIONS.
 - FOR PRODUCT/SERIALNUMBER LABEL REFER TO LATEST REVISION OF D RAWING BE-002841-XX-14.
 - FOR GFT BOX LABEL REFER TO THE LATEST REVISION OF DRAWING BE-002840-XX-14 (ONLY APPLIED IF ORDERED AS A SPARE PART).
 - TO BE SUPPLIED IN A 100mm X 130mm CLEAR PRESS SEAL BAG.
 - TO BE SUPPLIED WITH ADHESIVE PAD (4680) WHEN ORDERED AS A SPARE PART.

PROPRIETARY NOTICE
 THIS DESIGN AND TECHNICAL INFORMATION APPEARING ON THIS DRAWING IS THE PROPERTY OF BRIGADE ELECTRONICS, AND IS DISCLOSED IN CONFIDENCE. IT IS NOT TO BE COPIED, REPRODUCED, REVEALED TO OR EXPLOITED BY OTHERS, EITHER IN WHOLE OR IN PART WITHOUT THE EXPRESS WRITTEN CONSENT OF BRIGADE ELECTRONICS.

BRIGADE
 www.brigade-electronics.com

Assembly PI Approval KLEE - 25/03/14		Approved by SMATHEWS		Checked by RBATES		Drawn by BCHILDS	
Angle of Projection Third Angle		Units mm	Scale N/A	Released 25/03/14	Assembly Ref EDR-101-GPS		
		Status RELEASED		Part No 4507			
				BE-002821-00-14			